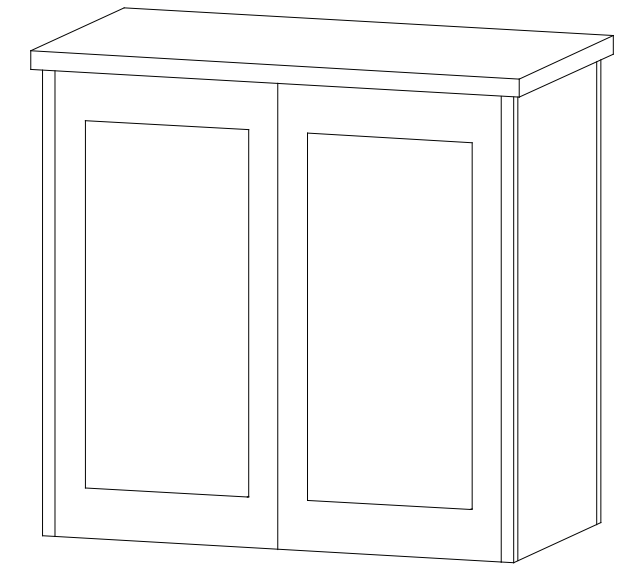
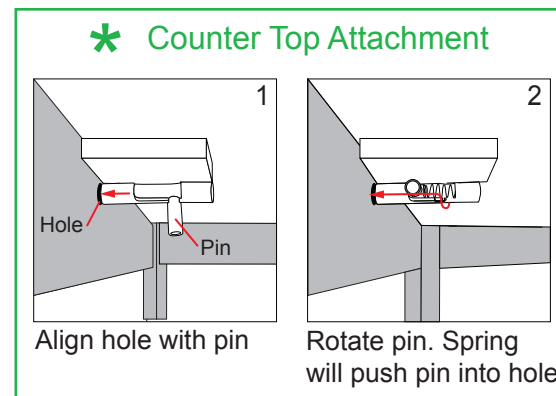
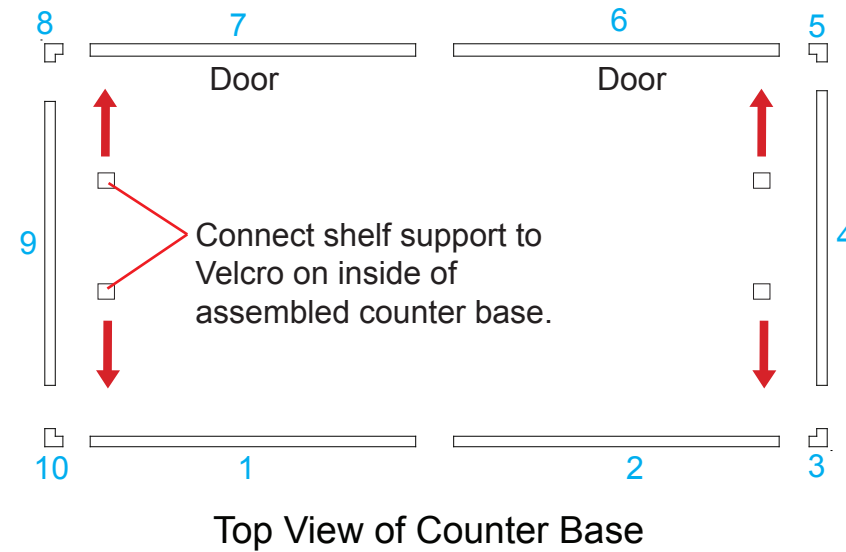
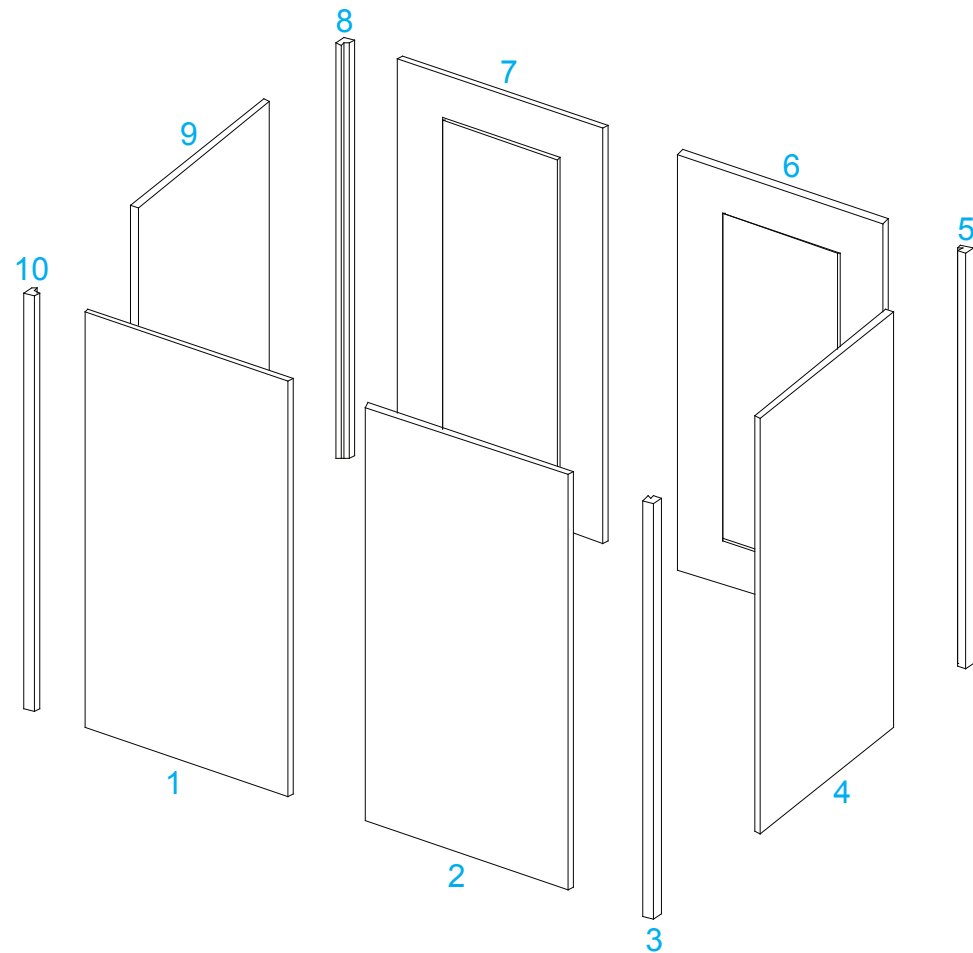
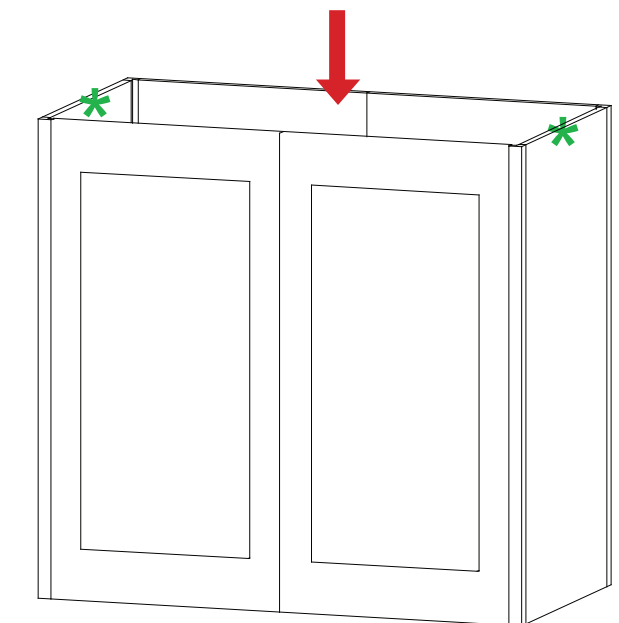
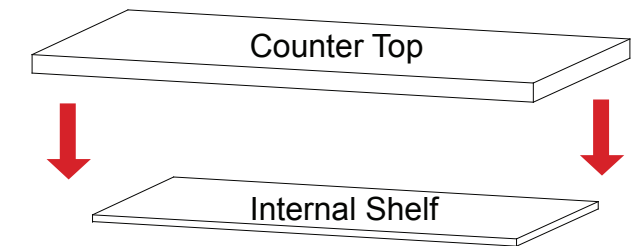


Item	Description
1	19" w x 38" h Flat Panel
2	19" w x 38" h Flat Panel
3	38" h 90° Connector
4	19" w x 38" h Flat Panel
5	38" h 90° Connector
6	19" w x 38" h Flat Panel w/ Door
7	19" w x 38" h Flat Panel w/ Door
8	38" h 90° Connector
9	19" w x 38" h Flat Panel
10	38" h 90° Connector

- Steps:
- 1) Connect panels together in numerical order. See LT panel Assembly details on reverse side.
 - 2) Connect shelf supports to Velcro on interior of assembled counter base then place internal shelf on top of shelf supports.
 - 3) Set counter top on assembled counter base. Secure with pins. See Counter Top Attachment detail.

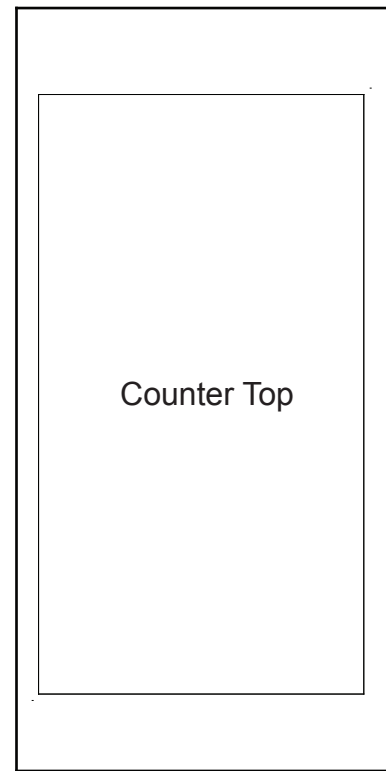


Completed Assembly

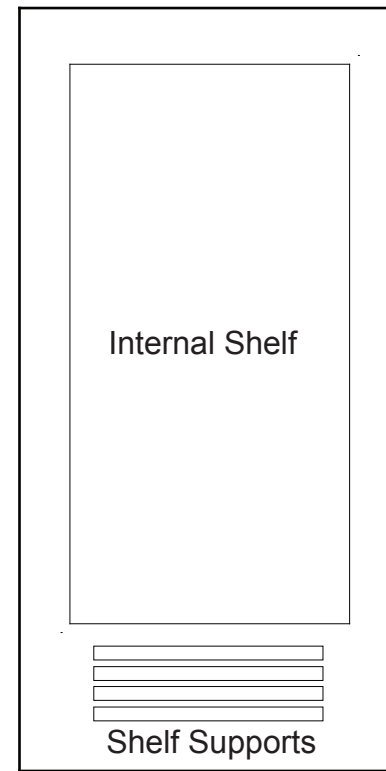


Back View

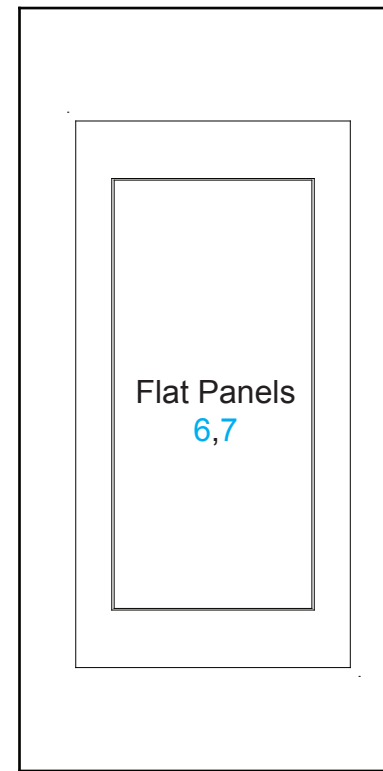
Top View of Each Level



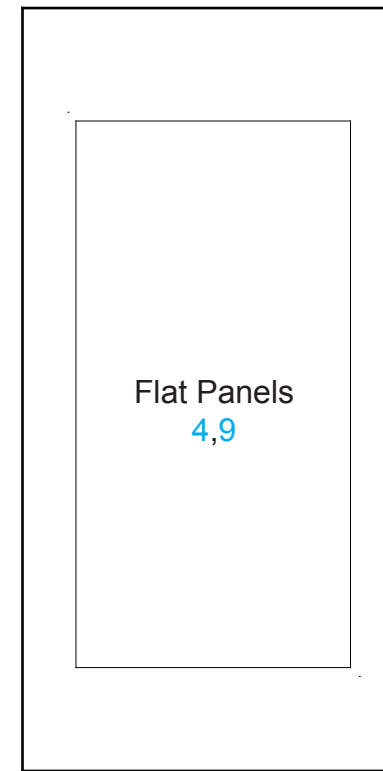
Level 1 (Bottom Level)



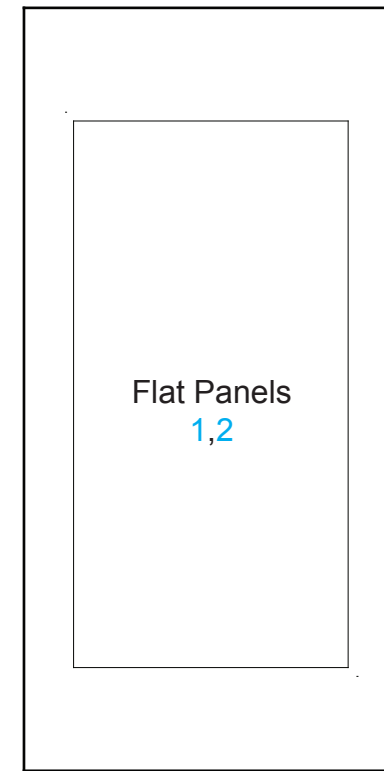
Level 2



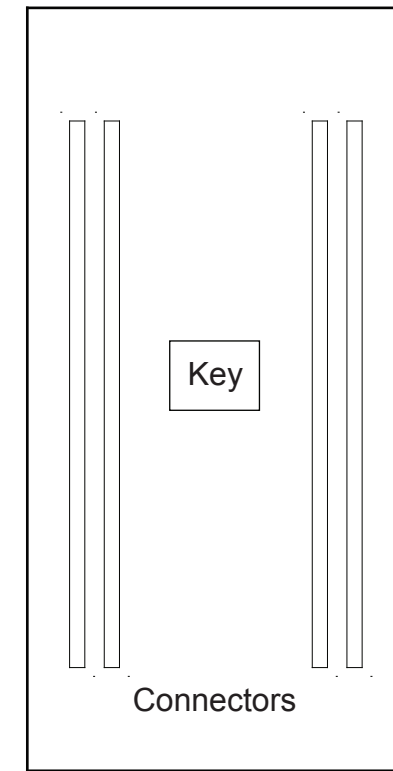
Level 3



Level 4



Level 5



Level 6